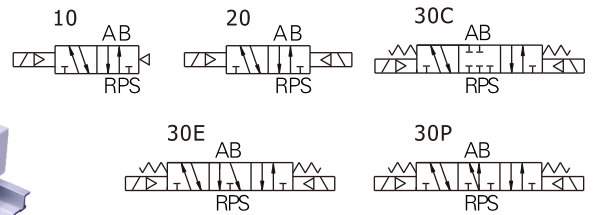
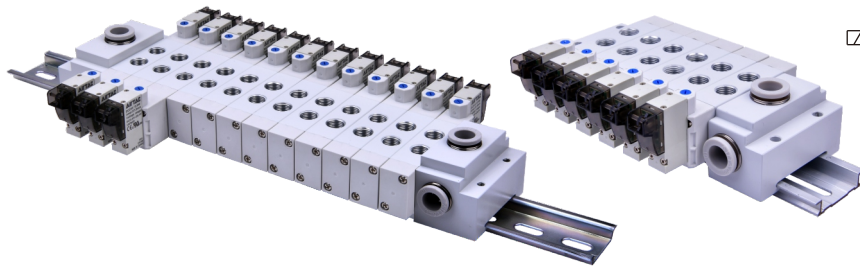


# Integrated solenoid valve (5/2, 5/3 way)

## 6HV Series



### Ordering code(Solenoid valve)

**6HV 1 10 06 B 050 T**



① Model	6HV: 5 port 2(3) position solenoid valve			
② Code	05: 0500 Series		1: 100 Series	
③ Valve type	10: Single solenoid 5/2 way		20: Double solenoid 5/2 way	
	30C: Double solenoid 5/3 way closed center		30E: Double solenoid 5/3 way exhaust center	
	30P: Double solenoid 5/3 way pressure center			
④ Port size	M5: M5		06 : 1/8"	
⑤ Voltage	A: AC220V		B: DC24V C: AC110V F: DC12V	
⑥ Line length	050: 0.5m		200: 2.0m	
⑦ Thread type	-		T: NPT	

### Ordering code(DIN guide rail)

**6HV 100M 6F**



① Model	6HV: 5 port 2(3) position solenoid valve		
② Code	0500M: DIN guide rail for 0500 Series		100M: DIN guide rail for 100 Series
③ Number of stations	4F: Manifold for 2、3、4 stations	4F:Manifold for 2、3、4 stations	20F:Manifold for 19、20 stations
	7F: Manifold for 5、6、7 stations	6F:Manifold for 5、6 stations	22F:Manifold for 21、22 stations
	10F: Manifold for 8、9、10 stations	8F:Manifold for 7、8 stations	24F:Manifold for 23、24 stations
	12F: Manifold for 11、12 stations	10F:Manifold for 9、10 stations	
	15F: Manifold for 13、14、15 stations	12F:Manifold for 11、12 stations	
	18F: Manifold for 16、17、18 stations	14F:Manifold for 13、14 stations	
	21F: Manifold for 19、20、21 stations	16F:Manifold for 15、16 stations	
	24F: Manifold for 22、23、24 stations	18F:Manifold for 17、18 stations	

[Note] DIN guide rail contents inlet and outlet module or end cover. The detail configuration is: ten and less stations config one inlet and outlet module and one end cover, ten over stations config two inlet and outlet modules.

### Product feature

1. Electrical entry is terminal, horizontal and vertical insertion can freely switch.
2. Inner exhaust structure, which can collect pilot airflow, and then exhaust intensively from R, S port.
3. Internal hole adopts special processing technology which has little attrition friction, low start pressure and long service life.
4. The solenoid valve and the DIN rail are connected by a push-pull type, which can be integrated into the valve group with multiple valves. It is convenient and flexible to disassemble and replace.

# Integrated solenoid valve (5/2, 5/3 way)

## 6HV Series

### Specification

Model	6HV0510	6HV0520	6HV0530	6HV110	6HV120	6HV130
Port size [Note1]	In=Out=M5			In=Out=M5(or=1/8")		
Orifice size (Cv)[Note4]	M5:3.4mm <sup>2</sup> (0.2)		6HV0530CM5: 2.2mm <sup>2</sup> (0.13)	06:8.9mm <sup>2</sup> (0.52)		6HV130C06: 8.0mm <sup>2</sup> (0.47)
Max. frequency [Note2]	5 cycle/sec		3 cycle/sec	5 cycle/sec		3 cycle/sec
Fluid	Air(to be filtered by 40µm filter element)					
Acting	Pilot					
Operating pressure	6HV0530/6HV130		29~114psi(0.2~0.8MPa)			
	Othres		21~114psi(0.15~0.8MPa)			
Proof pressure	175psi(1.2MPa)					
Temperature	-20~70°C					
Material of body	Aluminum alloy					
Lubrication [Note3]	Not required					
Exhaust type of pilot valve	Main valve and pilot valve is centralized exhaust					

[Note1] NPT thread is available.

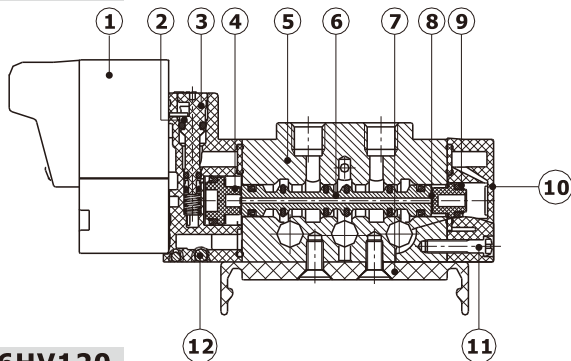
[Note2] Once lubricated air is used, continue with same medium to optimise valve life span. Lubricants like ISO VG32 or equivalent are recommended.

[Note3] The maximum actuation frequency is in the no-load state.

[Note4] Equivalent orifice S and Cv are all calculated from the flow rate data.

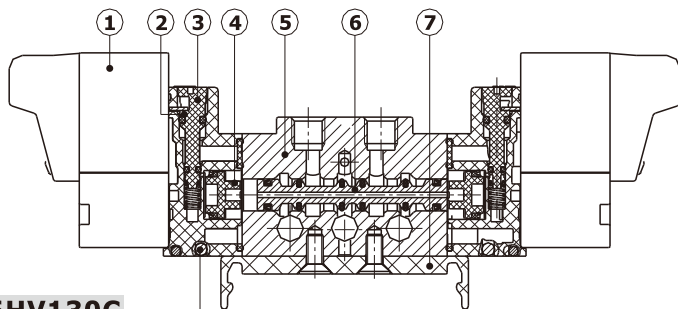
### Inner structure

#### 6HV110

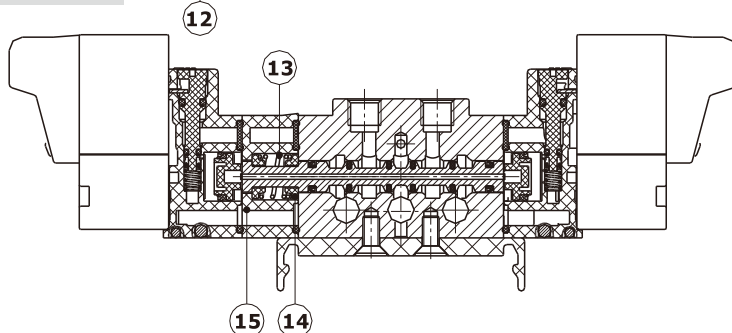


No.	Item	No.	Item	No.	Item
1	Pilot valve	6	Spool	11	Bolt
2	Manual override	7	Bracket	12	Steel ball
3	Pilot kit	8	Little piston	13	Spring
4	Big piston	9	Gasket	14	Return holder
5	Body	10	Bottom cover	15	Side cover

#### 6HV120



#### 6HV130C



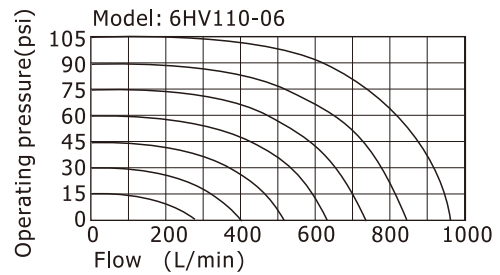
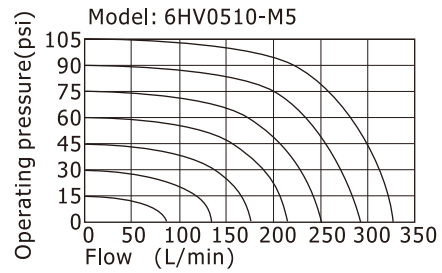
# Integrated solenoid valve (5/2, 5/3 way)

## 6HV Series

### Coil specification

Item	Specification			
	AC220V	AC110V	DC24V	DC12V
Standard voltage	AC220V	AC110V	DC24V	DC12V
Scope of voltage	AC: +15% ~ -10%		DC: ±10%	
Power consumption	1.1VA		0.9W	
Protection	Dustproof			
Temperature classification	F Class			
Electrical entry	Terminal			
Activating time	0.05 sec and below			

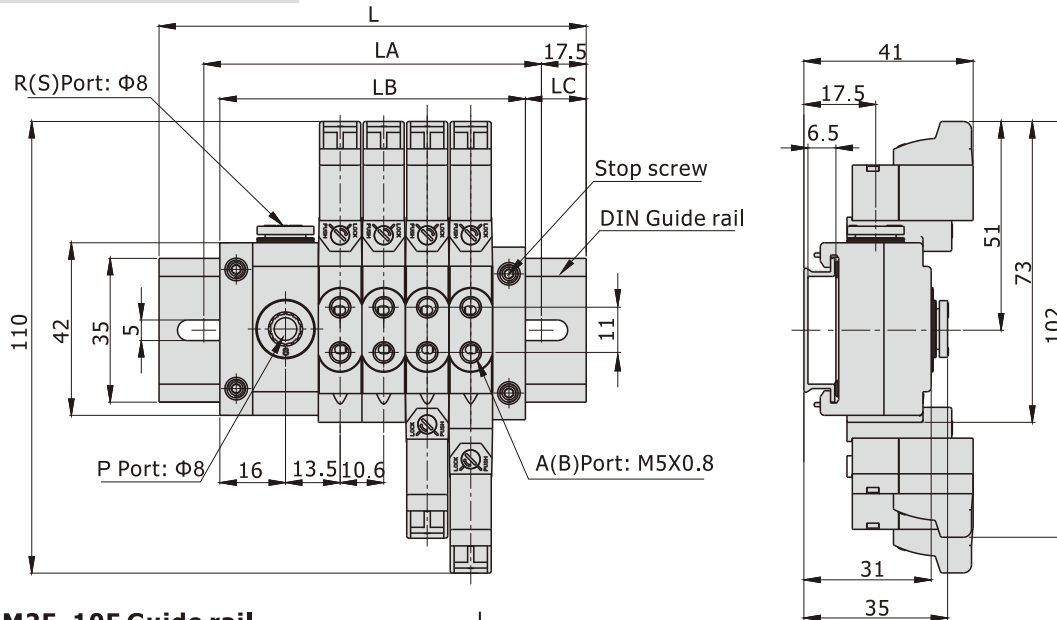
### Flow chart



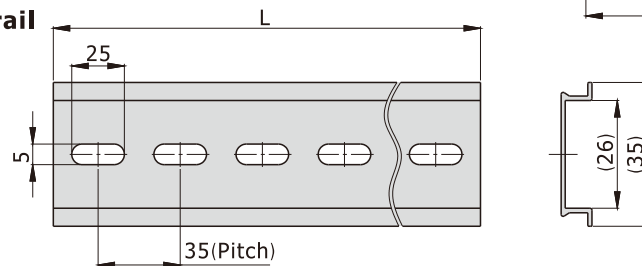
The data in flow rate chart are obtained from AirTAC lab.

### Dimensions

#### 6HV0500+6HV0500M2F~10F



#### 6HV0500M2F~10F Guide rail

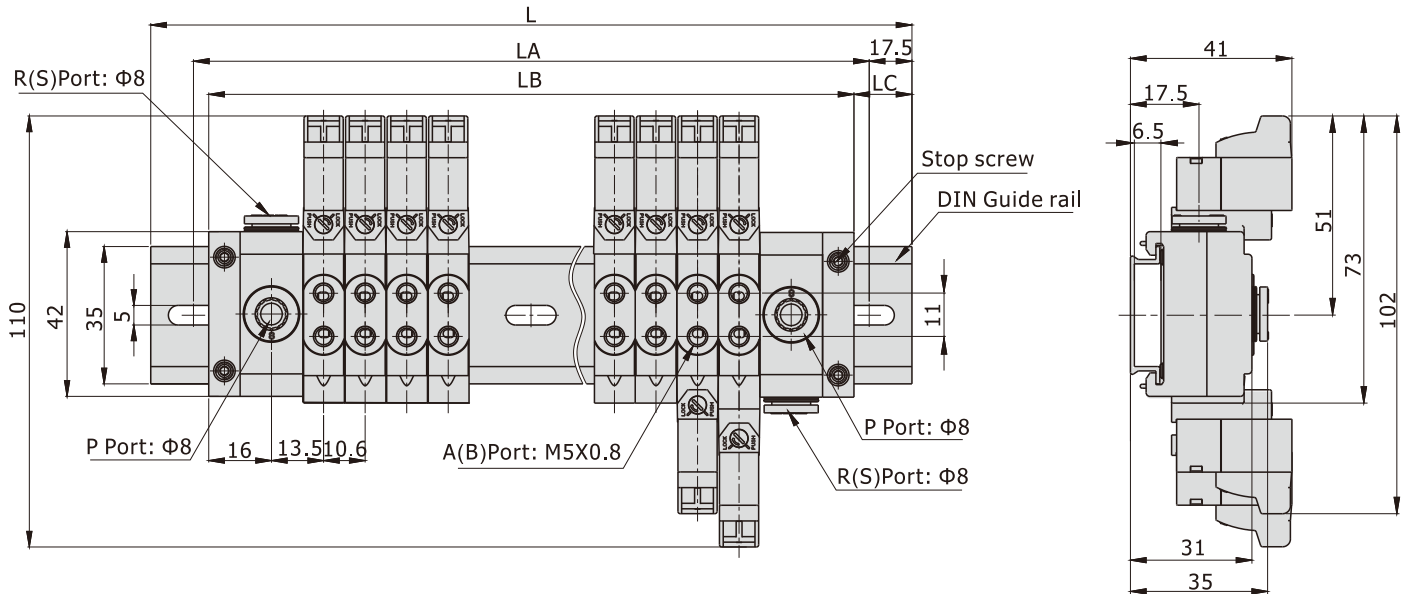


Item/Stations	2F	3F	4F	5F	6F	7F	8F	9F	10F
L	105	105	105	140	140	140	175	175	175
LA	70	70	70	105	105	105	140	140	140
LB	53	64	74.5	85	95.5	106	116	127.5	138
LC	26	20.5	15	27.5	22	17	29.5	23.8	18.5

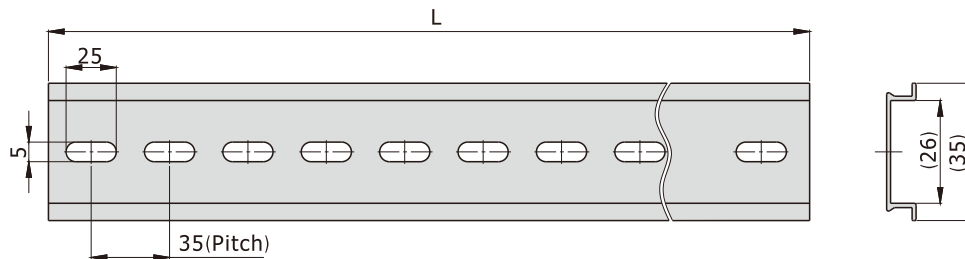
# Integrated solenoid valve (5/2, 5/3 way)

## 6HV Series

### 6HV0500+6HV0500M11F~24F



### 6HV0500M11F~24F Guide rail

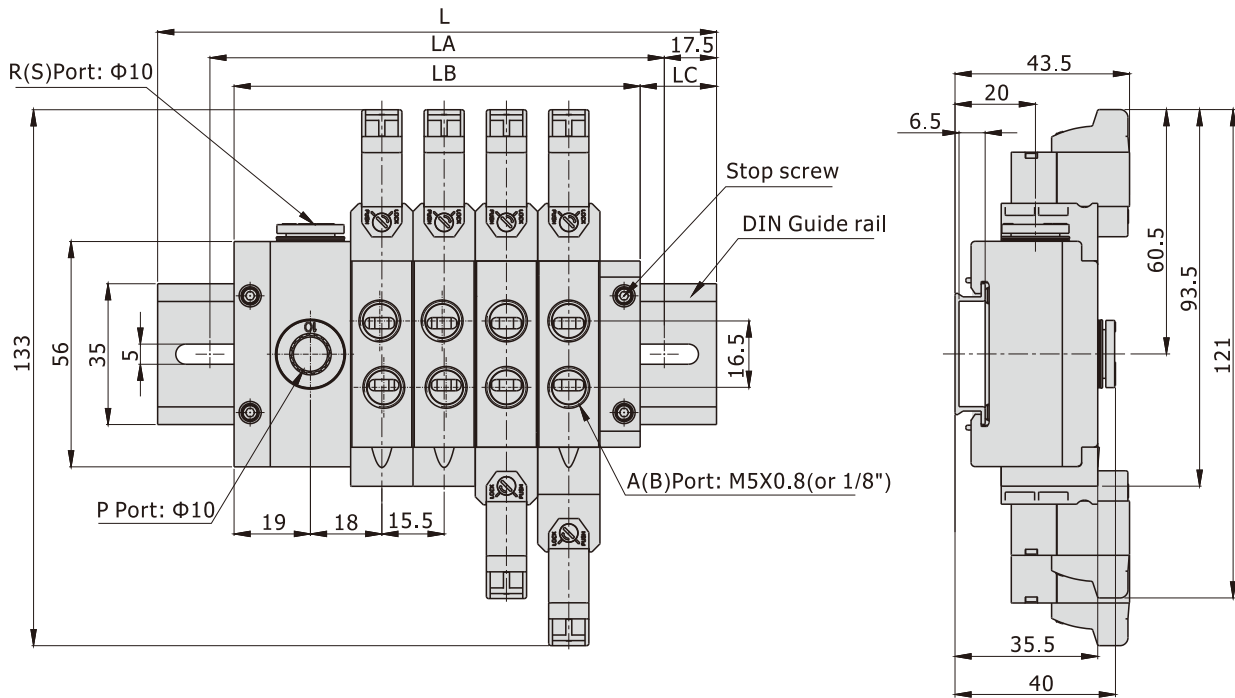


Item\Stations	11F	12F	13F	14F	15F	16F	17F	18F	19F	20F	21F	22F	23F	24F
L	210	210	245	245	245	280	280	280	315	315	315	350	350	350
LA	175	175	210	210	210	245	245	245	280	280	280	315	315	315
LB	164.5	175	185.5	196.5	207	217.5	228	238.5	249.5	260	270.5	281	292	302.5
LC	23	17.5	30	24	19	31	26	21	33	27.5	22	34.5	29	24

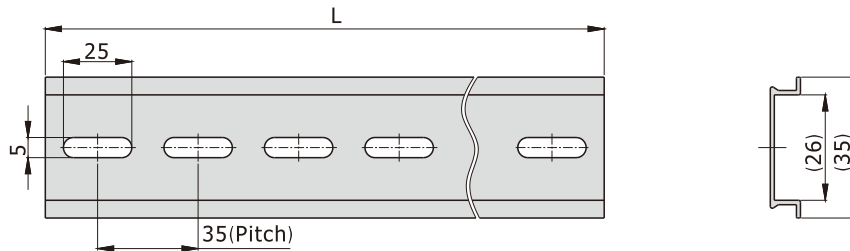
# Integrated solenoid valve (5/2, 5/3 way)

## 6HV Series

### 6HV100+6HV100M2F~10F



### 6HV100M2F~10F Guide rail

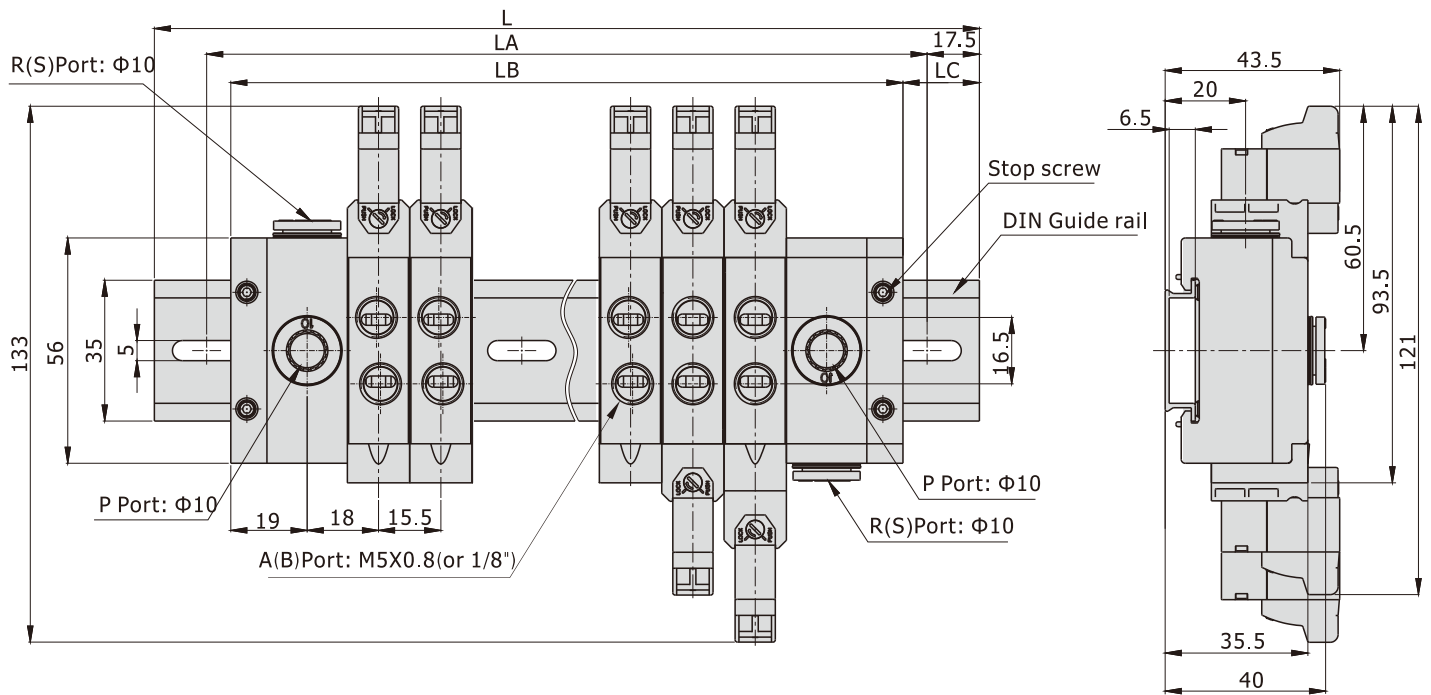


Item\Stations	2F	3F	4F	5F	6F	7F	8F	9F	10F
L	140	140	140	175	175	210	210	245	245
LA	105	105	105	140	140	175	175	210	210
LB	70	85.5	101	116.5	132	147.5	163	178.5	194
LC	35	27	19.5	29	21.5	31	23.5	33	25.5

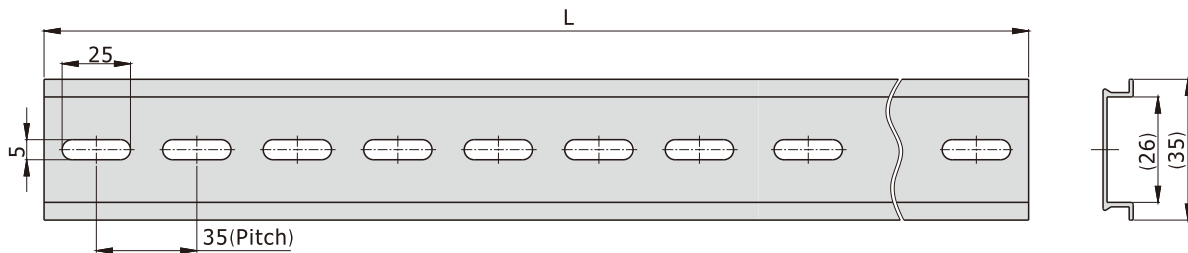
# Integrated solenoid valve (5/2, 5/3 way)

## 6HV Series

### 6HV100+6HV100M11F~24F



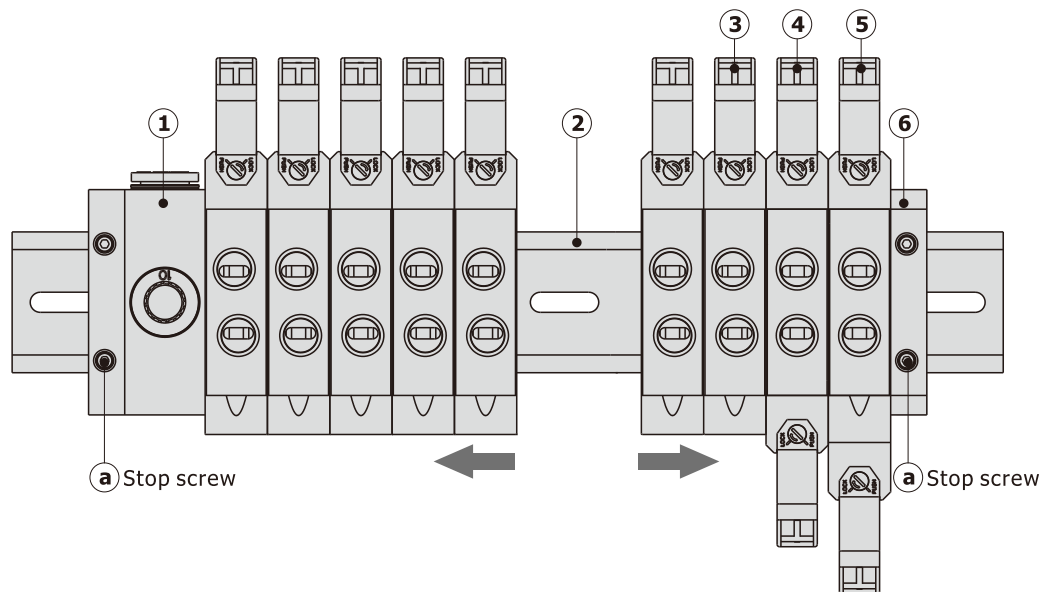
### 6HV100M11F~24F Guide rail



Item\Stations	11F	12F	13F	14F	15F	16F	17F	18F	19F	20F	21F	22F	23F	24F
L	280	280	315	315	350	350	385	385	420	420	455	455	490	490
LA	245	245	280	280	315	315	350	350	385	385	420	420	455	455
LB	228.5	244	259.5	275	290.5	306	321.5	337	352.5	368	383.5	399	414.5	430
LC	28	18	28	20	30	22	32	24	34	26	36	28	38	30

## 6HV Series

### Installation and Application(Integrated Solenoid valve)



Configurations of integrated solenoid valve:

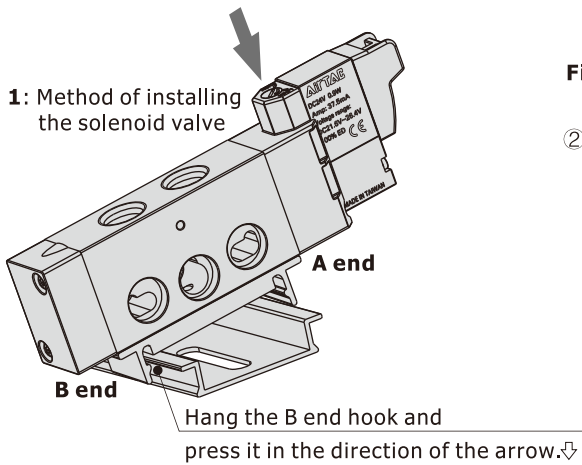
NO.	Name of module	How to order	Note
①	Inlet and outlet module	Contains in the DIN guide rail, can't be ordered independently	Left and right positions are interchangeable
②	DIN Guide rail	Refer to ordering code for detail	
③	Solenoid valve (Single solenoid(5/2 Way))	Refer to ordering code for detail	It can be installed at any position and can be added or removed at will.
④	Solenoid valve (Double solenoid(5/2 Way))	Refer to ordering code for detail	
⑤	Solenoid valve(5/3 Way)	Refer to ordering code for detail	
⑥	End cover	Contains in the DIN guide rail, can't be ordered independently	Left and right positions are interchangeable

1. The integrated solenoid valve group is a highly integrated valve block consisting of a solenoid valve, an inlet and outlet module, a end cover, and a DIN guide rail.
2. Each functional module in the integrated solenoid valve group can be freely replaced, the number of stations can be increased or decreased according to demand.
3. The method of increasing stations:
  - ① Loosen the stop screw. **a**
  - ② Separate the original solenoid valves that you wish to add.
  - ③ The newly added solenoid valve is mounted on the DIN rail according to the "Fig. 1" method.
  - ④ Push the other functional modules to make them tightly connected, then tighten the stop screws **a** to complete the increasing stations.
4. Notice:
  - 4.1) Stop screw tightening torque: 6HV0500: 1N.m/6HV100: 1.4N.m.
  - 4.2) Fastening method: first fix one end cover, then push each function module hard so that there is no gap between the valves, then tighten the stop screw at the other end.
  - 4.3) When reassembling: If the connection between the valves and the tightening torque of the stop screw are insufficient, air leakage may occur. Before ventilating, please make sure there is no gap between the valves, and firmly fix it on the guide rail before venting.
5. The method of removing the solenoid valve from the DIN rail: Refer to the requirements of "Fig. 2" for details.

# Integrated solenoid valve (5/2, 5/3 way)

## 6HV Series

**Fig. 1:** Method of installing the solenoid valve



**Fig. 2:** Method of removing the solenoid valve

- ① Slide to B
- ② Use a flat-blade screwdriver to remove the B end from the guide rail.

